

Máy Lạnh Chillers R-410A TCW 40 ~ 60NBK2D

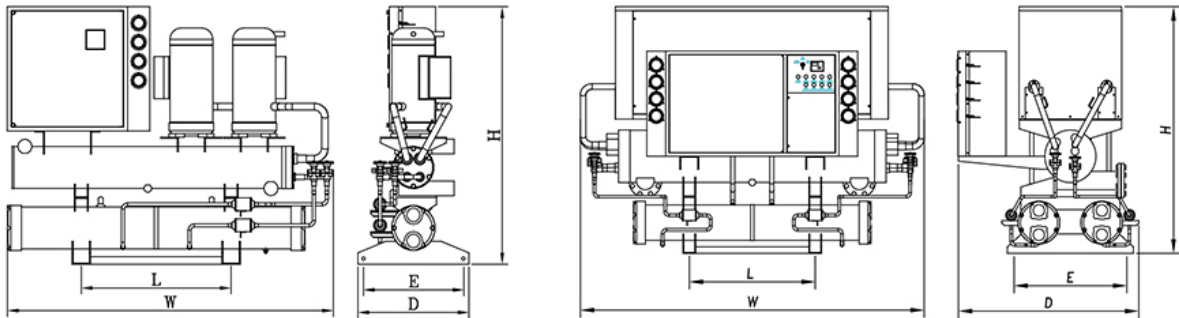
- Hiệu quả cao làm giảm mất năng lượng.
- Độ rung và mức âm thanh thấp
- Máy nén và bộ trao đổi nhiệt hiệu quả.
- Độ tinh cậy cao và độ bền cao
- Thiết kế nhỏ gọn

[Đặt hàng](#)

R-410A

TCW-20NBK2D
TCW-30NBK2D

TCW-40NBK4D
TCW-50NBK4D
TCW-60NBK4D



■ Specifications

| Model | | TCW-20NBK2D | TCW-30NBK2D | TCW-40NBK4D | TCW-50NBK4D | TCW-60NBK4D |
|---------------------|------------------|--|-----------------|--------------------|-------------|-------------|
| Cooling Capacity | kW | 60Hz | 70 | 105 | 140 | 174 |
| | | 50Hz | 58 | 87 | 117 | 145 |
| Power Consumption | kW | 60Hz | 16 | 24 | 32 | 40 |
| | | 50Hz | 13 | 20 | 27 | 33 |
| Running Current A | 3 φ 220/380/440V | 60Hz | 58/34/29 | 87/51/44 | 117/68/58 | 146/84/73 |
| | 3 φ 220/380/415V | 50Hz | 48/28/26 | 73/42/38 | 97/57/52 | 121/70/64 |
| COP | W/W | 4.38 | 4.38 | 4.38 | 4.35 | 4.35 |
| Dimension | Height (H) | mm | 1,300 | 1,400 | 1,700 | 1,700 |
| | Width (W) | mm | 1,800 | 1,800 | 2,200 | 2,300 |
| | Depth (D) | mm | 600 | 700 | 1,200 | 1,200 |
| Foundation holes | (L * E) | mm | 810*500 | 1,200*500 | 1,200*700 | 1,200*700 |
| Evaporator | Type | | Shell and Tube | | | |
| | Flow rate | L/min | 200 | 300 | 400 | 500 |
| | Lost head | M | 3.0 | 3.0 | 3.5 | 3.5 |
| | Pipe connections | | PT 2 | PT 2-1/2 | PT 3 | PT 3 |
| Condenser | Type | | Shell and Tube | | | |
| | Flow rate | L/min | 250 | 375 | 500 | 625 |
| | Lost head | M | 4.0 | 4.5 | 5.0 | 5.0 |
| | Pipe connections | | PT 2 | PT 2-1/2 | PT 2*2 | PT 2-1/2*2 |
| Refrigerant control | | Thermal expansion valve | | | | |
| Compressor | Type | | Sequence Direct | | | |
| | Oil heater | W | - | - | - | - |
| Capacity step | % | 0, 50, 100 | | 0, 25, 50, 75, 100 | | |
| Starting method | | Direct | | | | |
| Safety devices | | High/Low pressure switch, Over current relay, Phase reversal protector, Relief valve, Thermal interior protector, Antifreeze protector | | | | |
| Refrigerant | | R-410A | | | | |
| Refrigerant oil | | Nameplate in chiller | | | | |
| Net weight | kg | 650 | 750 | 1,200 | 1,250 | 1,350 |
| Operation weight | kg | 800 | 900 | 1,450 | 1,500 | 1,650 |

Note: 1. Cooling capacity is on: cooling water outlet 35°C, inlet 30 °C; Chilled water outlet 7°C, inlet 12 °C.
2. Specifications are subject to change with out notice for further improvement.

Thông tin liên quan



-

[Máy Lạnh Chillers R-410A TCW 20 ~ 30NBK2D](#)