

Máy Lạnh Chillers R-410A TCW 20 ~ 30NBK2D

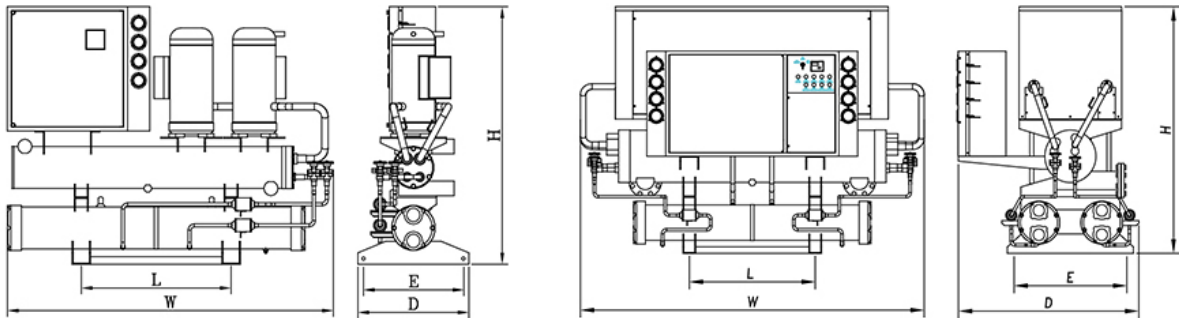
- Hiệu quả cao làm giảm mất năng lượng.
- Độ rung và mức âm thanh thấp
- Máy nén và bộ trao đổi nhiệt hiệu quả.
- Độ tinh cậY cao và độ bền cao
- Thiết kế nhỏ gọn

[Đặt hàng](#)

R-410A

TCW-20NBK2D
TCW-30NBK2D

TCW-40NBK4D
TCW-50NBK4D
TCW-60NBK4D



■ Specifications

Model		TCW-20NBK2D	TCW-30NBK2D	TCW-40NBK4D	TCW-50NBK4D	TCW-60NBK4D	
Cooling Capacity	kW	60Hz	70	105	140	174	209
		50Hz	58	87	117	145	174
Power Consumption	kW	60Hz	16	24	32	40	48
		50Hz	13	20	27	33	40
Running Current A	3φ 220/380/440V	60Hz	58/34/29	87/51/44	117/68/58	146/84/73	175/101/87
	3φ 220/380/415V	50Hz	48/28/26	73/42/38	97/57/52	121/70/64	146/84/77
COP	W/W	4.38	4.38	4.38	4.35	4.35	
Dimension	Height (H)	mm	1,300	1,400	1,700	1,700	1,700
	Width (W)	mm	1,800	1,800	2,200	2,300	2,300
	Depth (D)	mm	600	700	1,200	1,200	1,200
Foundation holes	(L * E)	mm	810*500	1,200*500	1,200*700	1,200*700	1,200*700
Evaporator	Type		Shell and Tube				
	Flow rate	L/min	200	300	400	500	600
	Lost head	M	3.0	3.0	3.5	3.5	3.5
	Pipe connections		PT 2	PT 2-1/2	PT 3	PT 3	4B
Condenser	Type		Shell and Tube				
	Flow rate	L/min	250	375	500	625	750
	Lost head	M	4.0	4.5	5.0	5.0	5.0
	Pipe connections		PT 2	PT 2-1/2	PT 2*2	PT 2-1/2*2	PT 2-1/2*2
Refrigerant control		Thermal expansion valve					
Compressor	Type		Sequence Direct				
	Oil heater	W	-	-	-	-	-
Capacity step	%	0, 50, 100		0, 25, 50, 75, 100			
Starting method		Direct					
Safety devices		High/Low pressure switch, Over current relay, Phase reversal protector, Relief valve, Thermal interior protector, Antifreeze protector					
Refrigerant		R-410A					
Refrigerant oil		Nameplate in chiller					
Net weight	kg	650	750	1,200	1,250	1,350	
Operation weight	kg	800	900	1,450	1,500	1,650	

Note: 1. Cooling capacity is on: cooling water outlet 35°C, inlet 30 °C; Chilled water outlet 7°C, inlet 12 °C.
2. Specifications are subject to change with out notice for further improvement.

Thông tin liên quan



-

[Máy Lạnh Chillers R-410A TCW 40 ~ 60NBK2D](#)